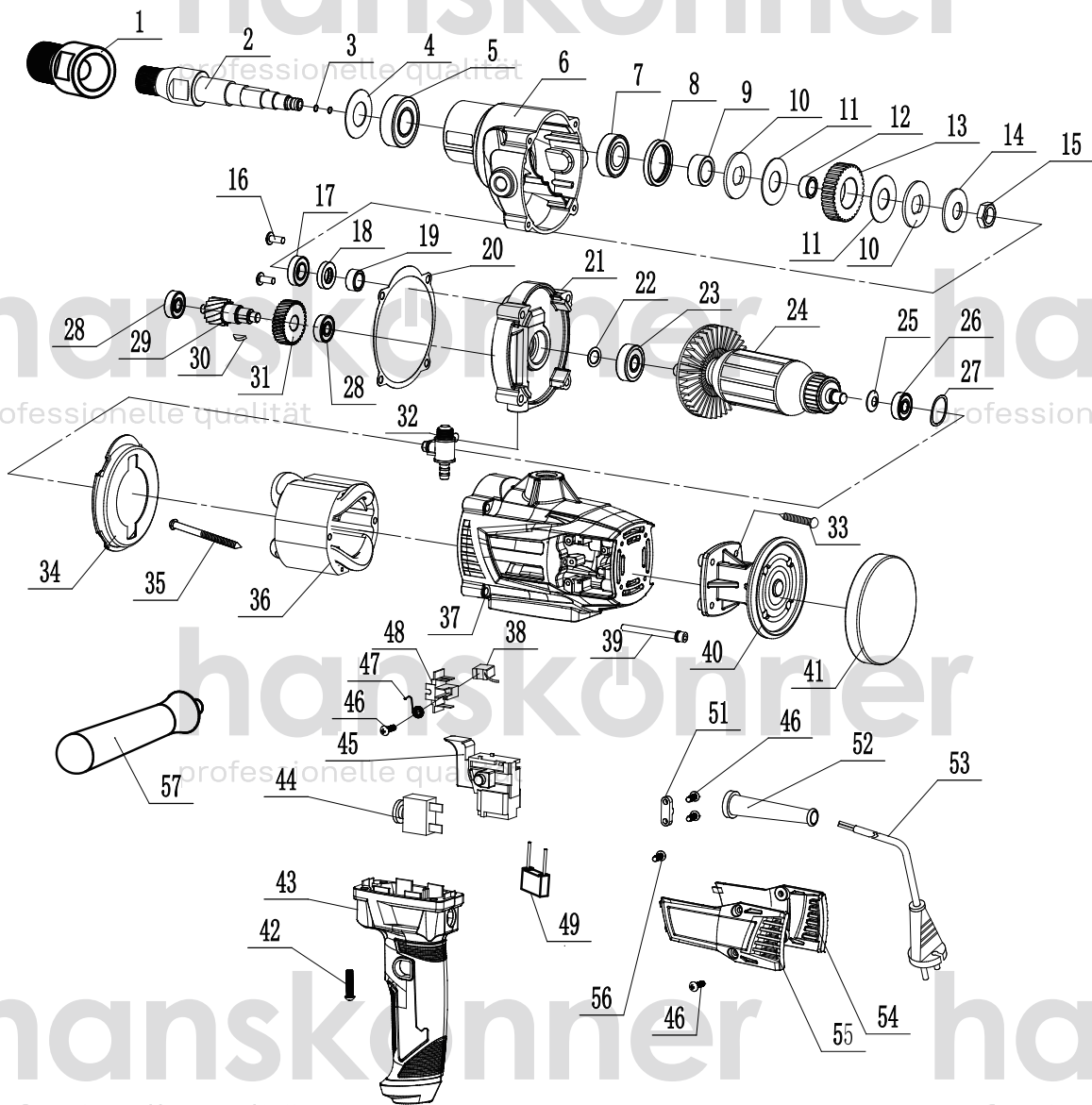


hansköpner

hansköpner

HID2180M



| NO. | DESCRIPTION | NO. | DESCRIPTION |
|-----|----------------|-----|---------------------------|
| 1 | CONNECT | 29 | GEAR SHAFT |
| 2 | OUTPUT SPINDLE | 30 | WOODRUFF KEY |
| 3 | O RING | 31 | FIRST GEAR |
| 4 | BACKUP PLATE | 32 | WATER FAUCET |
| 5 | BEARING 6004 | 33 | SCREW ST4X25 |
| 6 | HEAD SHELL | 34 | FAN SHROUD |
| 7 | BEARING 6003 | 35 | SCREW ST5X65 |
| 8 | OIL SEAL | 36 | STATOR |
| 9 | SPACER SLEEVE | 37 | MOTOR HOUSING |
| 10 | PRESSURE PULL | 38 | CARBON BRUSH |
| 11 | WEARING PLATE | 39 | SCREW M5X55 |
| 12 | GEAR BUSHING | 40 | AFTER-POPPET |
| 13 | BIG GEAR | 41 | BACK BRACKET LEATHER CASE |
| 14 | PLATE | 42 | SCREW ST5X22 |
| 15 | NUT M14X1.25 | 43 | HANDLE |
| 16 | SCREW M5X12 | 44 | SWITCH PROTECTOR |
| 17 | BEARING 6901 | 45 | SPEED-CONTROL SWITCH |
| 18 | OIL SEAL | 46 | SCREW ST4X14 |
| 19 | RACE RING | 47 | CARBON BRUSH SPRING |
| 20 | PAPER WASHER | 48 | BRUSH HOLDER |
| 21 | MIDDLE COVER | 49 | CAPACITY |
| 22 | WOOL WASHER | 51 | WIRE BOARD |
| 23 | BEARING 629 | 52 | CABLE SHEATH |
| 24 | ROTOR | 53 | POWER CORD |
| 25 | BEAD FLANGE | 54 | RIGHT BRUSH COVER |
| 26 | BEARING 608 | 55 | LEFT BRUSH COVER |
| 27 | WAVE WASHERS | 56 | SCREW ST4X16 |
| 28 | BEARING 608 | 57 | SIDE HANDLE |

professionelle qualität

professionelle qualität

HID2180M-EX-RUS230519